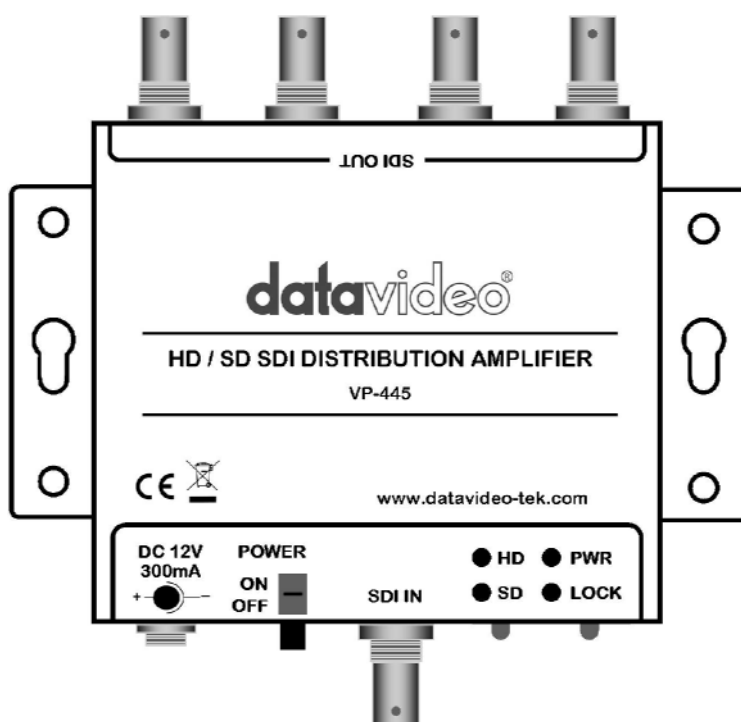


VP-445 4 Way SDI Distribution Amplifier



Instruction Manual

Table of contents

| | |
|--------------------------------|---|
| Warnings and Precautions | 2 |
| Warranty | 3 |
| Disposal..... | 3 |
| Packing List | 5 |
| Introduction | 5 |
| Features | 5 |
| Connections | 6 |
| Front Panel | 6 |
| Rear Panel | 6 |
| Specification | 7 |
| Service and Support | 8 |



Warnings and Precautions

1. Read all of these warnings and save them for later reference.
2. Follow all warnings and instructions marked on this unit.
3. Unplug this unit from the wall outlet before cleaning. Do not use liquid or aerosol cleaners. Use a damp cloth for cleaning.
4. Do not use this unit in or near water.
5. Do not place this unit on an unstable cart, stand, or table. The unit may fall, causing serious damage.
6. Slots and openings on the cabinet top, back, and bottom are provided for ventilation. To ensure safe and reliable operation of this unit, and to protect it from overheating, do not block or cover these openings. Do not place this unit on a bed, sofa, rug, or similar surface, as the ventilation openings on the bottom of the cabinet will be blocked. This unit should never be placed near or over a heat register or radiator. This unit should not be placed in a built-in installation unless proper ventilation is provided.
7. This product should only be operated from the type of power source indicated on the marking label of the AC adapter. If you are not sure of the type of power available, consult your Datavideo dealer or your local power company.
8. Do not allow anything to rest on the power cord. Do not locate this unit where the power cord will be walked on, rolled over, or otherwise stressed.
9. If an extension cord must be used with this unit, make sure that the total of the ampere ratings on the products plugged into the extension cord do not exceed the extension cord's rating.
10. Make sure that the total amperes of all the units that are plugged into a single wall outlet do not exceed 15 amperes.
11. Never push objects of any kind into this unit through the cabinet ventilation slots, as they may touch dangerous voltage points or short out parts that could result in risk of fire or electric shock. Never spill liquid of any kind onto or into this unit.
12. Except as specifically explained elsewhere in this manual, do not attempt to service this product yourself. Opening or removing covers that are marked "Do Not Remove" may expose you to dangerous voltage points or other risks, and will void your warranty. Refer all service issues to qualified service personnel.
13. Unplug this product from the wall outlet and refer to qualified service personnel under the following conditions:
 - a. When the power cord is damaged or frayed;
 - b. When liquid has spilled into the unit;
 - c. When the product has been exposed to rain or water;
 - d. When the product does not operate normally under normal operating conditions. Adjust only those controls that are covered by the operating instructions in this manual; improper adjustment of other controls may result in damage to the unit and may often require extensive work by a qualified technician to restore the unit to normal operation;
 - e. When the product has been dropped or the cabinet has been damaged;
 - f. When the product exhibits a distinct change in performance, indicating a need for service.

Warranty

Datavideo warrants that the equipment it manufactures shall be free from defects in material and workmanship for a period of 12 months from the date of product purchased. If equipment fails due to such defects, Datavideo will, at its option, repair or provide a replacement for the defective part or product. Equipment that fails after the warranty period, has been operated or installed in a manner other than that specified by Datavideo, or has been subjected to abuse or modification, will be repaired for time and material charges at the Buyer's expense.

This warranty does not affect your statutory rights within the Country of purchase.

Disposal

For EU Customers only - WEEE Marking.



This symbol on the product indicates that it will not be treated as household waste. It must be handed over to the applicable take-back scheme for the recycling of electrical and electronic equipment. For more detailed information about the recycling of this product, please contact your local Datavideo office.

Packing List:

The following items should be included in the box. If any items are missing please contact your supplier.

| | | |
|---|---|-------------------------------------|
| 1 | x | VP-445 4 Way Distribution Amplifier |
| 2 | x | BNC to BNC Cable 1.2m |
| 1 | x | Power Supply (12V 500mA) |
| 1 | x | Instruction Manual |

Introduction

The Datavideo VP-445 is a 4 Way SDI Distribution Amplifier. It can distribute either SD or HD SDI together with embedded audio.

Features

SD / HD SDI Distribution Amplifier

SD / HD Auto Detect with LED Indicator

LED Power and Signal Lock Indicator

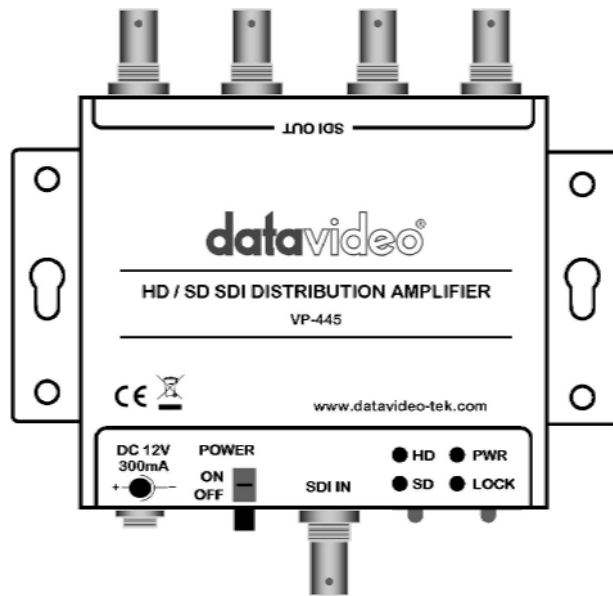
Compact design

Built in mounting plate for easy installation

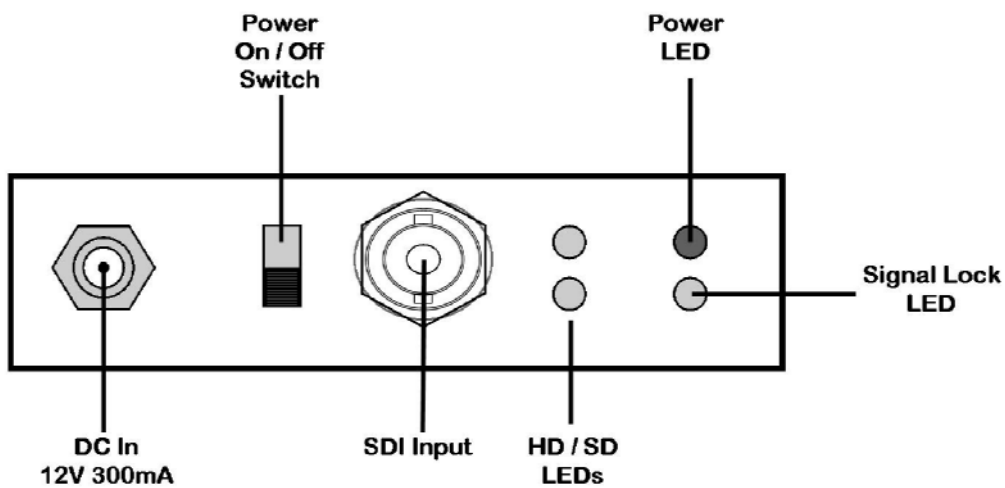
Locking 2.1mm in-line DC In socket

12V 300mA power requirement (12V 500mA PSU supplied).

Connections

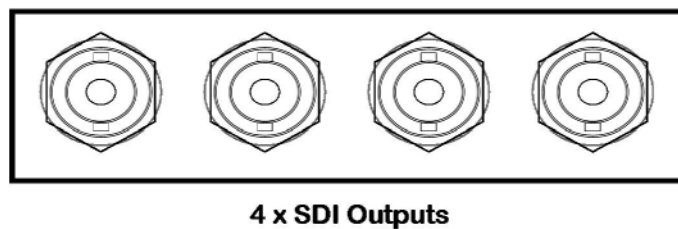


Front Panel



HD / SD LEDs - Once a signal has been detected the appropriate LED will light to indicate format.
Signal Lock LED - The LED will light up when a SDI signal is detected.

Rear Panel



4 x SDI Outputs

Specifications

| | |
|-----------------------------------|---------------------------------------------------------------------------------------------------------------------------------------------------------------------------------------------------------------------------------------------------------------|
| Video Input | BNC (75Ω) SDI inc. Embedded Audio |
| Video Output | 4 x BNC (75Ω) SDI inc. Embedded Audio |
| Video Signal | SD: SDI signal (SMPTE-259M, 270Mb/sec) Amplitude: 800 +/- 10% Timing jitter: 0.2 UI Alignment jitter: 0.2 UI HD: HD-SDI signal (SMPTE-292M, 1.47GMB/sec) Amplitude: 800 +/- 10% Timing jitter: 0.2 UI Alignment jitter: 1.0 UI |
| Audio | Digital : SDI Embedded |
| Power Requirement | 12V 300mA (2.1mm In-Line Jack centre positive) |
| Dimensions (Incl. Mounting Plate) | 12.3 x 13.2 x 2.5 cm L x W x D |
| Weight | 340g |

Service and Support

It is our goal to make your products ownership a satisfying experience. Our supporting staff is available to assist you in setting up and operating your system. Please refer to our web site www.datavideo-tek.com for answers to common questions, support requests or contact your local office below.

Datavideo Corporation (USA)

12300-U East Washington Blvd., Whittier, CA 90606 USA

Tel: +1 562 696 2324

contactus@datavideo.us

www.datavideo.us

Datavideo Technologies Europe BV

Floridadreef 106, 3565 AM Utrecht, The Netherlands

Tel: +31 30 261 9656

info@datavideo.nl

www.datavideo.info

Datavideo UK Limited

Unit 2 Waterside Business Park, Hadfield, Glossop, Derbyshire SK13 1BE UK

Tel: +44 1457 851000

sales@datavideo.co.uk

www.datavideo.info

Datavideo Technologies Co., Ltd.

10F, 176 Jian-Yi Rd, Chung Ho City, Taipei Hsien, Taiwan 235

Tel: +886 2 8227 2888

service@datavideo.com.tw

www.datavideo.com.tw

Datavideo Technologies China Co.

2F-D, 2 Lane 777, West Guangzhong Rd, Zhabei District, Shanghai, China

Tel: +86 21 5603 6599

service@datavideo.cn

www.datavideo.cn

Datavideo Technologies (S) PTE Ltd.

No. 100, Lorong 23 Geylang, #01-03 D'Centennial Bldg, Singapore 388398

Tel: +65 6749 6866

info@datavideo.sg

www.datavideo.info

Datavideo Hong Kong Limited

G/F., 26 Cross Lane, Wanchai, HK

Tel: +852 2833 1981

info@datavideohk.com

www.datavideohk.com